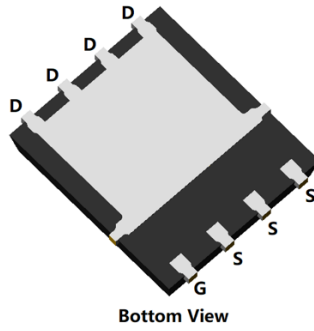
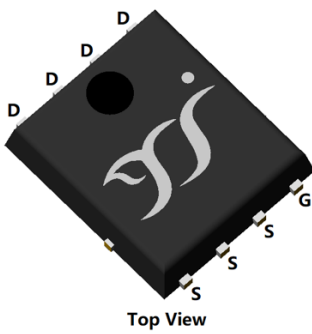
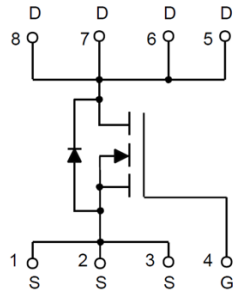


## N-Channel Enhancement Mode Field Effect Transistor



PDFN5060-8L



### Product Summary

- $V_{DS}$  60V
- $I_D$  95A
- $R_{DS(ON)}$  ( at  $V_{GS}=10V$ ) < 2.9 mohm
- 100% EAS Tested
- 100%  $\nabla V_{DS}$  Tested

### General Description

- Split Gate Trench MOSFET technology
- Excellent package for heat dissipation
- High density cell design for low  $R_{DS(ON)}$
- Moisture Sensitivity Level 1
- Epoxy Meets UL 94 V-0 Flammability Rating
- Halogen Free

### Applications

- DC-DC Converters
- Power management functions
- Synchronous-rectification applications

### ■ Absolute Maximum Ratings ( $T_A=25^\circ\text{C}$ unless otherwise noted)

Parameter	Symbol	Limit	Unit
Drain-source Voltage	$V_{DS}$	60	V
Gate-source Voltage	$V_{GS}$	$\pm 20$	V
Drain Current (Silicon limited)	$I_D$	155	A
Drain Current <sup>A</sup>	$I_D$	$T_A=25^\circ\text{C}$	20
		$T_A=100^\circ\text{C}$	12
		$T_C=25^\circ\text{C}$	95
		$T_C=100^\circ\text{C}$	60
Pulsed Drain Current <sup>B</sup>	$I_{DM}$	390	A
Avalanche energy <sup>C</sup>	$E_{AS}$	800	mJ
Total Power Dissipation <sup>D</sup>	$P_D$	120	W
Thermal Resistance Junction-to-Case	$R_{\theta JC}$	1.04	°C/W
Thermal Resistance Junction-to-Ambient <sup>E</sup>	$R_{\theta JA}$	20	
Junction and Storage Temperature Range	$T_J, T_{STG}$	-55~+150	°C

### ■ Ordering Information (Example)

PREFERRED P/N	PACKING CODE	Marking	MINIMUM PACKAGE(pcs)	INNER BOX QUANTITY(pcs)	OUTER CARTON QUANTITY(pcs)	DELIVERY MODE
YJG95G06B	F1	YJG95G06B	5000	10000	100000	13" reel



# YJG95G06B

## ■ Electrical Characteristics (T<sub>J</sub>=25℃ unless otherwise noted)

Parameter	Symbol	Conditions	Min	Typ	Max	Units
<b>Static Parameter</b>						
Drain-Source Breakdown Voltage	BV <sub>DSS</sub>	V <sub>GS</sub> = 0V, I <sub>D</sub> =250μA	60			V
Zero Gate Voltage Drain Current	I <sub>DSS</sub>	V <sub>DS</sub> =60V, V <sub>GS</sub> =0V			1	μA
Gate-Body Leakage Current	I <sub>GSS</sub>	V <sub>GS</sub> = ±20V, V <sub>DS</sub> =0V			±100	nA
Gate Threshold Voltage	V <sub>GS(th)</sub>	V <sub>DS</sub> = V <sub>GS</sub> , I <sub>D</sub> =250μA	2.0	2.8	4.0	V
Static Drain-Source On-Resistance	R <sub>DS(ON)</sub>	V <sub>GS</sub> = 10V, I <sub>D</sub> =20A		2.25	2.9	mΩ
Diode Forward Voltage	V <sub>SD</sub>	I <sub>S</sub> =20A, V <sub>GS</sub> =0V			1.2	V
Maximum Body-Diode Continuous Current	I <sub>S</sub>				95	A
<b>Dynamic Parameters</b>						
Input Capacitance	C <sub>iss</sub>	V <sub>DS</sub> =25V, V <sub>GS</sub> =0V, f=100KHZ		5950		pF
Output Capacitance	C <sub>oss</sub>			1250		
Reverse Transfer Capacitance	C <sub>rss</sub>			85		
<b>Switching Parameters</b>						
Total Gate Charge	Q <sub>g</sub>	V <sub>GS</sub> =10V, V <sub>DS</sub> =50V, I <sub>D</sub> =50A		93		nC
Gate-Source Charge	Q <sub>gs</sub>			17		
Gate-Drain Charge	Q <sub>gd</sub>			14		
Reverse Recovery Charge	Q <sub>rr</sub>	I <sub>F</sub> =25A, di/dt=100A/us		73		
Reverse Recovery Time	t <sub>rr</sub>			68		
Turn-on Delay Time	t <sub>d(on)</sub>	V <sub>GS</sub> =10V, V <sub>DD</sub> =30V, I <sub>D</sub> =25A R <sub>GEN</sub> =2Ω		22.5		ns
Turn-on Rise Time	t <sub>r</sub>			6.7		
Turn-off Delay Time	t <sub>d(off)</sub>			80.3		
Turn-off fall Time	t <sub>f</sub>			26.9		

### Note:

- The maximum current rating is package limited.
- Repetitive rating; pulse width limited by max. junction temperature.
- T<sub>J</sub>=25℃, V<sub>DD</sub>=55V, V<sub>G</sub>=10V, R<sub>G</sub>=25Ω, L=4mH, I<sub>AS</sub>=20A.
- P<sub>D</sub> is based on max. junction temperature, using junction-case thermal resistance.
- The value of R<sub>θJA</sub> is measured with the device mounted on 1 in 2 FR-4 board with 2oz. Copper, in a still air environment with T<sub>a</sub>=25℃.



## ■ Typical Performance Characteristics

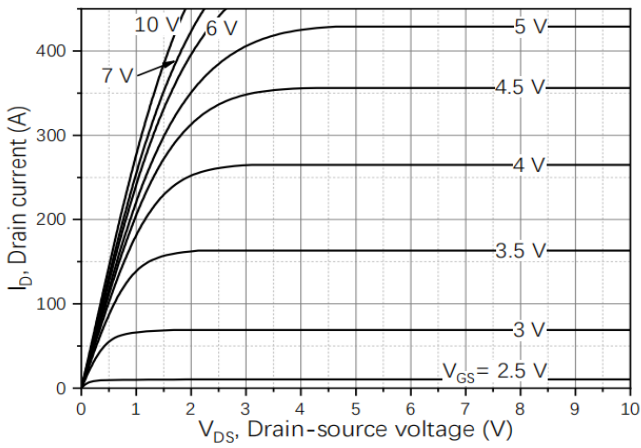


Figure1. Output Characteristics

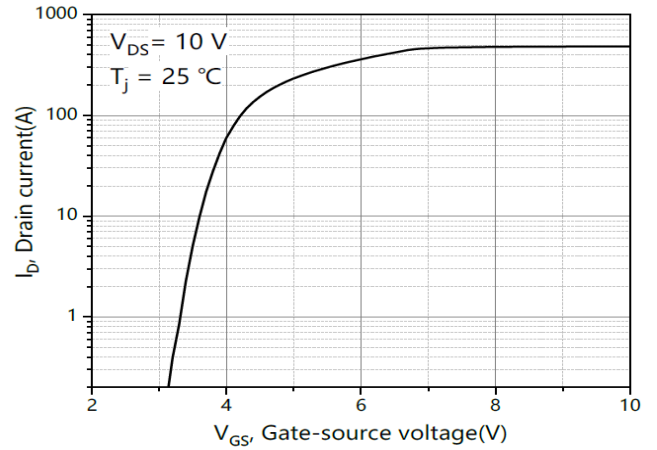


Figure2. Transfer Characteristics

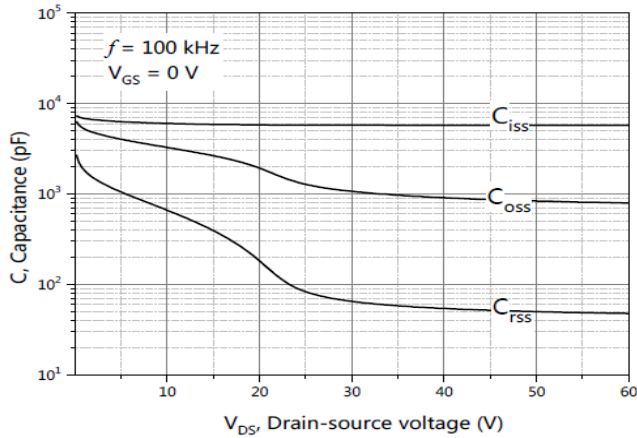


Figure3. Capacitance Characteristics

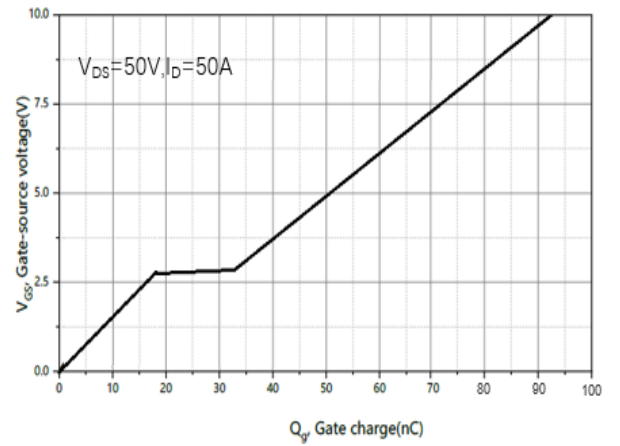


Figure4. Gate Charge

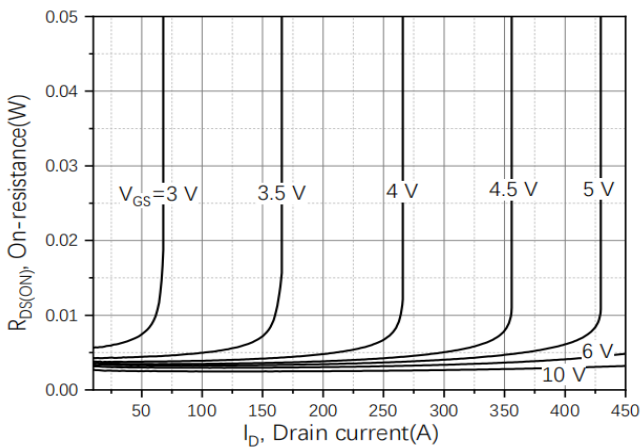


Figure5. Drain-Source on Resistance

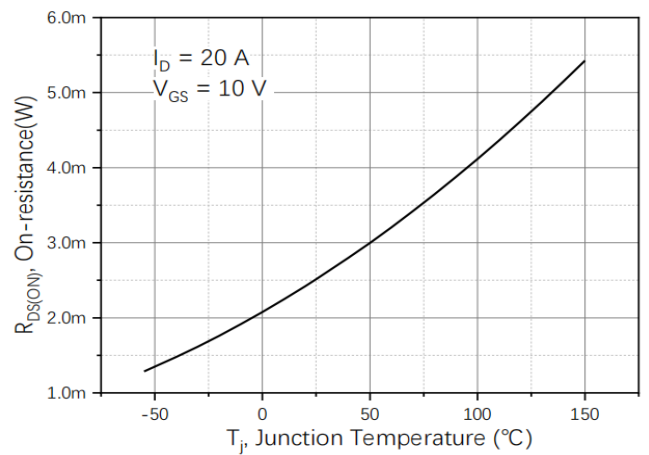


Figure6. Drain-Source on Resistance



# YJG95G06B

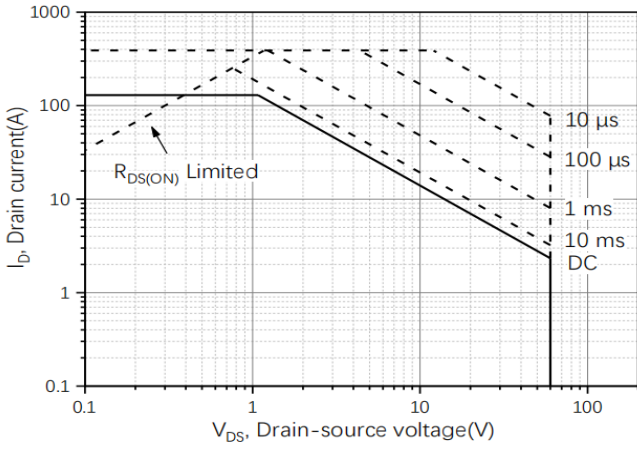


Figure 7. Safe Operation Area

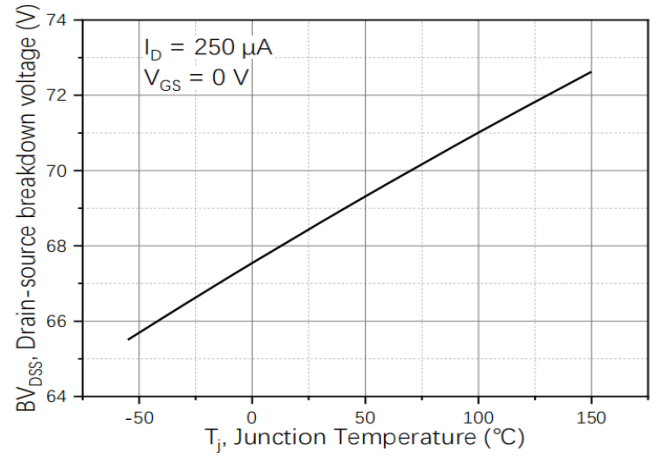


Figure 8. Drain-source breakdown voltage

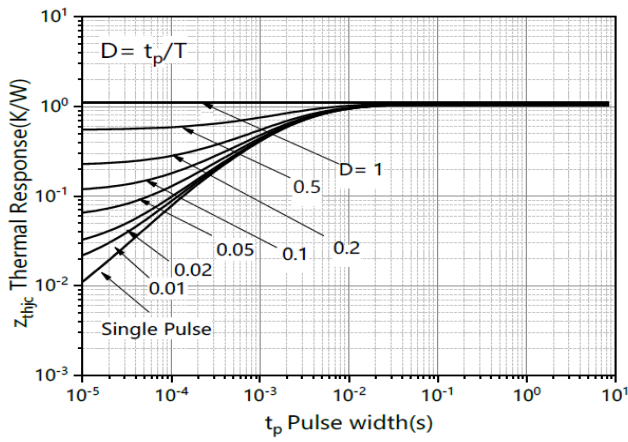


Figure 9. Transient thermal impedance

## ■ Test circuits and waveforms

Figure A: Gate Charge Test Circuit & Waveforms

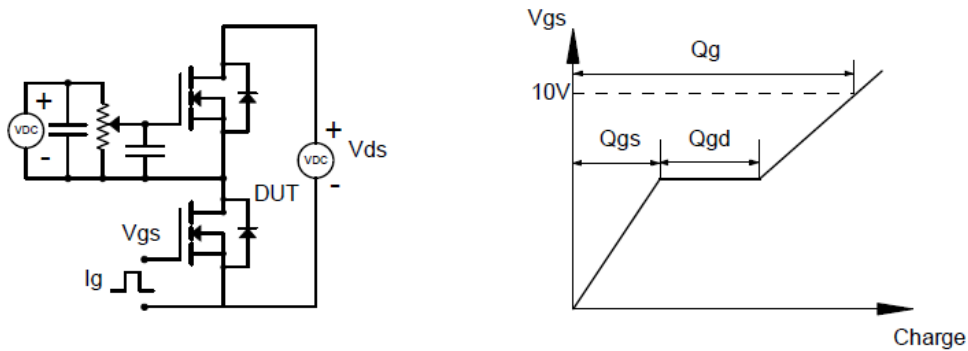


Figure B: Resistive Switching Test Circuit & Waveforms

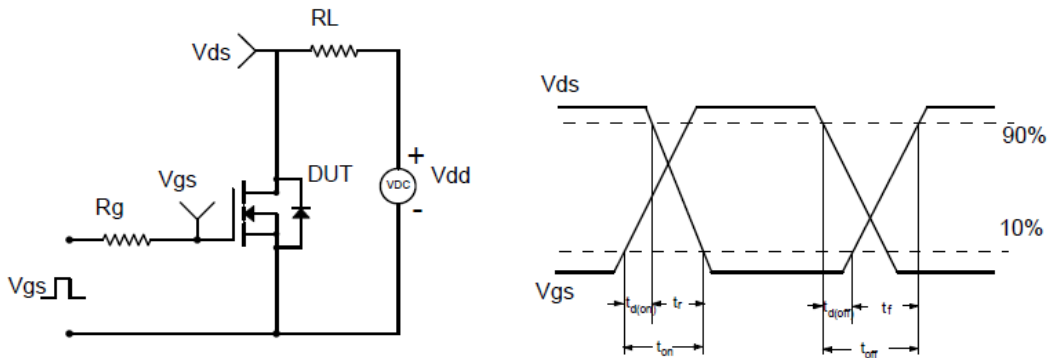


Figure C: Unclamped Inductive Switching (UIS) Test

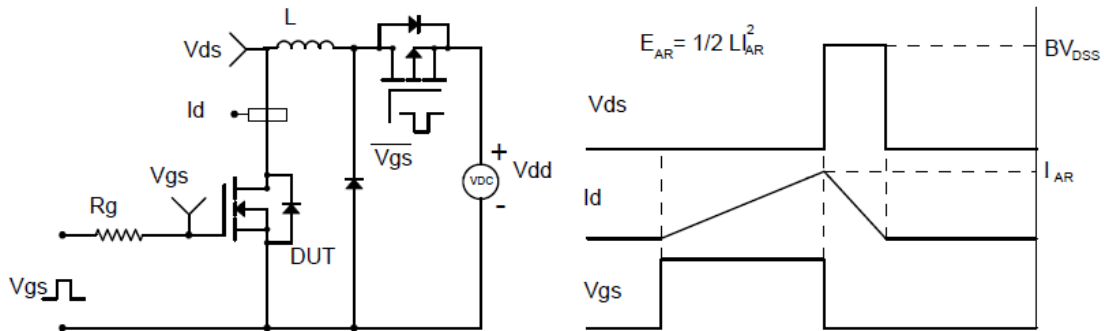
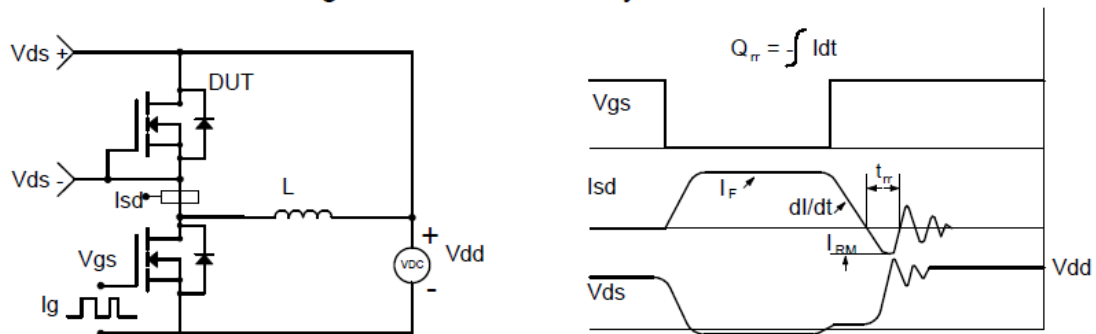


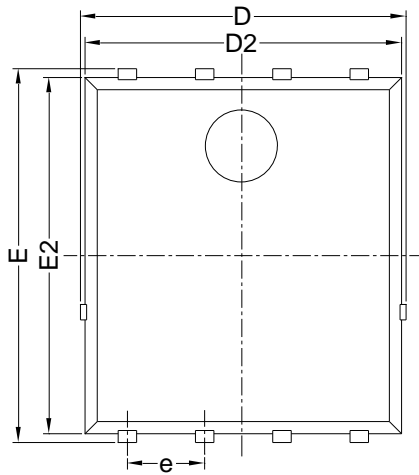
Figure D: Diode Recovery Test Circuit & Waveforms



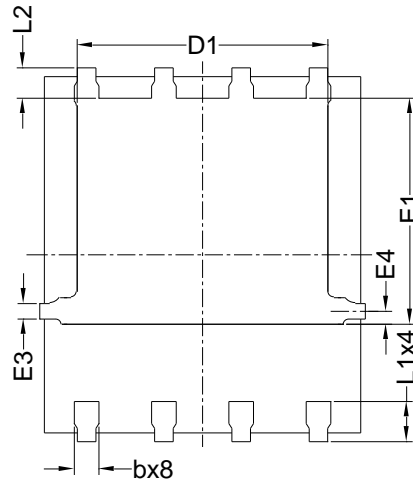


# YJG95G06B

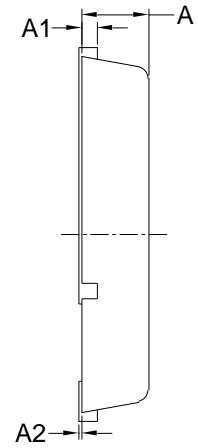
## ■ PDFN5060-8L-B-1.1MM Package Information



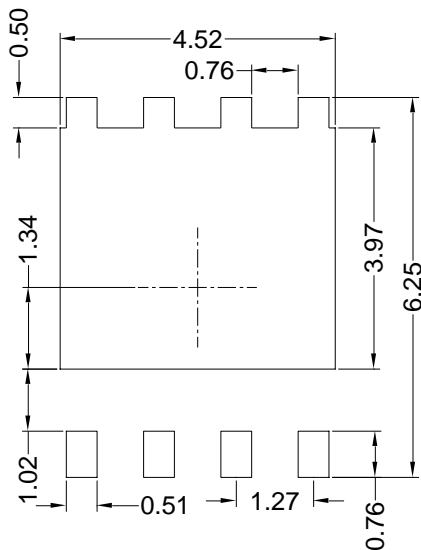
Top View  
正面视图



Bottom View  
背面视图



Side View  
侧面视图



Suggested Solder Pad Layout  
Top View

SYMBOL	MILLIMETER		
	MIN	NOM	MAX
D	5.15	5.35	5.55
E	5.95	6.15	6.35
A	1.00	1.10	1.20
A1	0.254 BSC		
A2			0.10
D1	3.92	4.12	4.32
E1	3.52	3.72	3.92
D2	5.00	5.20	5.40
E2	5.66	5.86	6.06
E3	0.254 REF		
E4	0.21 REF		
L1	0.56	0.66	0.76
L2	0.50 BSC		
b	0.31	0.41	0.51
e	1.27 BSC		

Note:

1. Controlling dimension: in millimeters.
2. General tolerance:  $\pm 0.10$ mm.
3. The pad layout is for reference purposes only.



## YJG95G06B

---

### Disclaimer

The information presented in this document is for reference only. Yangzhou Yangjie Electronic Technology Co., Ltd. reserves the right to make changes without notice for the specification of the products displayed herein to improve reliability, function or design or otherwise.

The product listed herein is designed to be used with ordinary electronic equipment or devices, and not designed to be used with equipment or devices which require high level of reliability and the malfunction of which would directly endanger human life (such as medical instruments, transportation equipment, aerospace machinery, nuclear-reactor controllers, fuel controllers and other safety devices), Yangjie or anyone on its behalf, assumes no responsibility or liability for any damages resulting from such improper use of sale.

This publication supersedes & replaces all information previously supplied. For additional information, please visit our website [http:// www.21yangjie.com](http://www.21yangjie.com) , or consult your nearest Yangjie's sales office for further assistance.